



---

INFORMATION GUIDE

# 3-POINT TRAILER MOVER

## TMX1

---

Attach the Summit Tractors Trailer Mover to your tractor's Category 1 hitch or Quick Hitch to move a wide assortment of trailers. It has a 2" receiver welded to the frame that accepts a hitch for drop pin wagons or ball mounts. The included 2 5/16" ball hitch screws into the top of the trailer mover mast, allowing you to attach and move gooseneck varieties.



### 3-POINT TRAILER MOVER SPECIFICATIONS

---

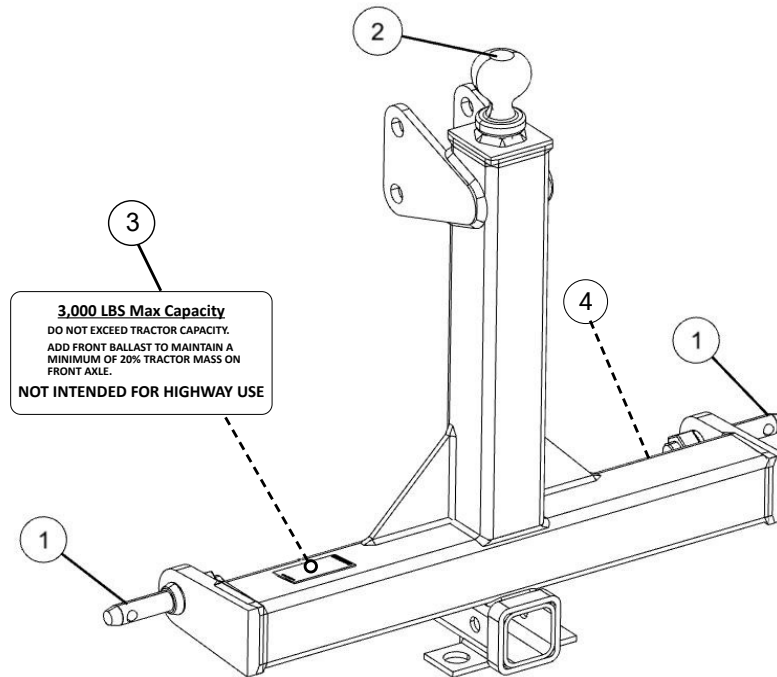
	TMX1
Implement Overall Width (in.)	33
Implement Overall Height (in.)	28
Implement Overall Length (in.)	8-1/4
Receiver Hitch Size (in.)	2
Gooseneck Ball Size (in.)	2 5/16
Implement Overall Weight (lb)	47
Lift Capacity (lb)*	3,000
Hitch Type	Category 1 / Quick Hitch

**\*Implement capacity only. Do not exceed the lift capacity of your tractor.**

To learn more or to find a dealer nearest you, please visit [SummitTractors.com](http://SummitTractors.com).

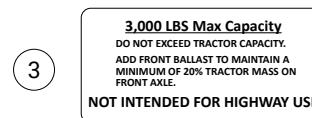
## General Safety

- Follow all safety decal information. Failure to follow safety rules can result in serious injury or death.
- Never allow children or untrained persons to operate the equipment.
- Make sure implement is properly attached, adjusted, and in good operating condition.
- Power unit must be equipped with ROPS or ROPS cab and seat belt. Keep seat belt securely fastened. Falling off power unit can result in death from being run over or crushed. Keep foldable ROPS system in "locked up" position at all times.
- Never allow riders on power unit or implement.
- A minimum of 20% of tractor and equipment weight must be on the tractor's front wheels when implements are in transport position. Without this weight, tractor could tip over, causing personal injury or death. The weight may be attained with a loader, front wheel weights, ballast in tires or front tractor weights. Weigh the tractor and equipment. Do not estimate.
- Do not operate or transport equipment while under the influence of alcohol or drugs.
- Operate only in daylight or satisfactory artificial light.
- Keep children and bystanders away from storage area.



**3,000 LBS Max Capacity**  
DO NOT EXCEED TRACTOR CAPACITY.  
ADD FRONT BALLAST TO MAINTAIN A  
MINIMUM OF 20% TRACTOR MASS ON  
FRONT AXLE.  
**NOT INTENDED FOR HIGHWAY USE**

SERVICE PARTS		
Reference	Part #	Description
1	C1L	Category 1 Lift Pin
2	9001516	2 5/16" trailer ball w/ washer
3	4000553	Capacity Info Decal
4	Non Service	Serial Number



The information in this brochure is accurate as of the date of printing and subject to change. All rights reserved by and belong to Summit Tractors LLC.  
©2025 International Tractors USA Corporation

Summit has a corporate policy of continuous product improvement and development; therefore, data, specifications, and warranty are subject to change without any advance notice. There may be differences between the specifications and illustrations contained in this publication and the actual equipment. Equipment components produced by other manufacturers may be shown in photographs in this publication for the purpose of illustration only and is not intended as an endorsement of that particular equipment or its suitability. Inspect equipment before using it and be sure it is operating properly. The product depictions are not meant to be used or relied upon as a substitute for the safety and use information that is published in the respective operator's manuals. Before operating a machine, read, understand, and follow all instructions in the manual and on the machine. Summit Tractors disclaims all representations, express or implied, or any liability from the use of this publication.

International Tractors  
USA Corporation  
1900 Parrish Drive SE  
Rome, GA 30161

[www.SummitTractors.com](http://www.SummitTractors.com)

4000980 (REV A)  
Oct 2025  
PRINTED IN U.S.A.