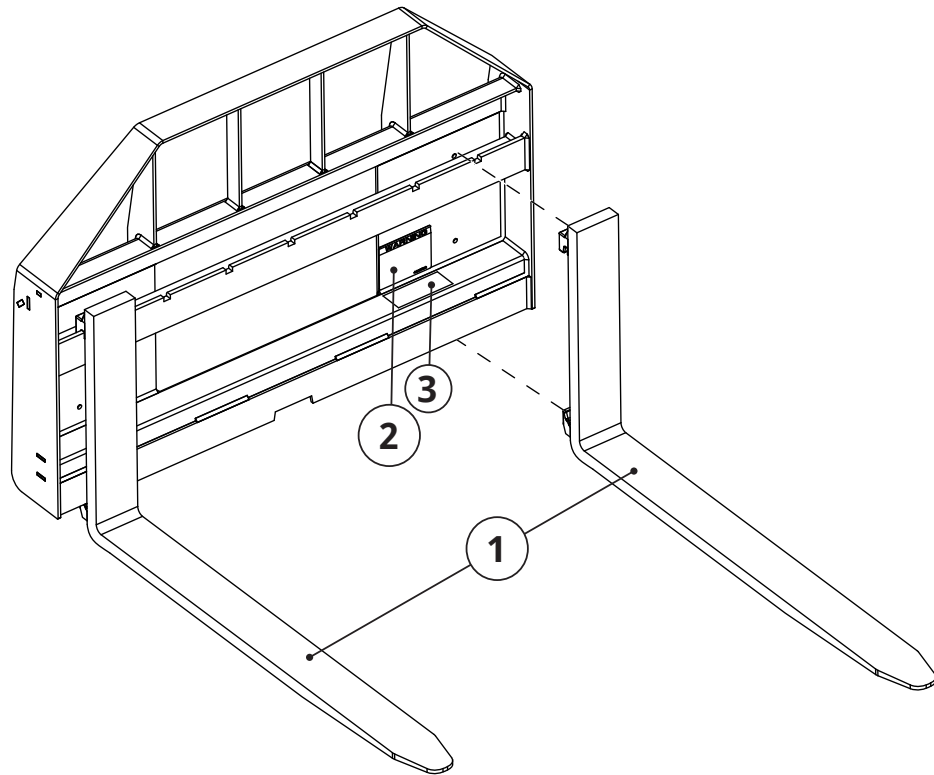


## INFORMATION GUIDE PALLET FORKS PFX42



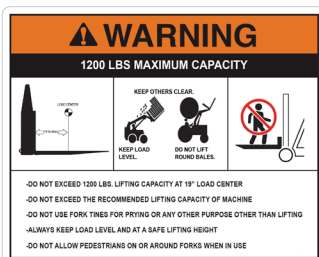
### SERVICE PARTS

Reference	Part #	Description
1	9000953	1200 lb Pallet Fork (2PK)
2	4000363	1200 lb Pallet Fork Warning Label
3	Non-Serviceable	Serial Number Label

### SPECIFICATIONS

Weight	238 lb
Lift Capacity	1200 lb at 19" load center*
Length, Overall	49"
Width, Overall	46"
Height, Overall	34"
Fork Cross Section	1.25" x 3" ITA heat treated
Fork Length	42"
Implement Hitch	Universal Quick-Attach

\*Implement capacity only. Do not exceed the lift capacity of front-end loader attachment or tractor.



## General Safety

- DO NOT use pallet forks to transport people or livestock.
- Make sure implement is properly attached, adjusted, and in good operating condition.
- Center the forks under the pallet and drive fully beneath the load to ensure even weight distribution. Make sure the load is balanced and secure, as an unbalanced load can fall and cause serious injury or death.
- Keep the load slightly tilted back with the heaviest side near the frame to keep it secure. Tilting the forks too high can cause the load to fall backward, while leveling or tilting them down can make it fall forward.
- Always shut off the engine, remove the key, and set the parking brake before loading materials to prevent being run over or crushed. Never load while the power unit is running.
- Never raise or lower a load when the power unit is in motion.
- Never walk or work under a raised load unless it's securely blocked or manually supported. A hydraulic failure could cause it to fall suddenly, leading to serious injury or death.
- Never allow minors or untrained persons to operate the equipment.
- Contact between a raised loader and low electrical wires can cause serious injury or death. Always check for electrical hazards before raising the loader.
- Always drive straight up or down steep slopes, not across. Drive slowly, especially on turns, to avoid instability. Keep the load centered, and ensure the rear is properly counterbalanced with weights. An unstable unit can tip over, causing serious injury or death. Consult the operator's manual for weight limits and requirements.
- Always set loads on level surfaces. Back away slowly, clearing the forks from the pallet. Keep bystanders and livestock away to prevent injury or death from falling loads.
- The power unit must have a Roll-Over Protection System (ROPS) or ROPS cab with a seat belt. Always keep the seat belt fastened. Falling off can cause death from being run over or crushed. Keep foldable ROPS locked in the upright position at all times.
- Do not operate or transport equipment while under the influence of alcohol or drugs.
- Operate only in daylight or satisfactory artificial light.

## Manufacturer's Limited Warranty

Summit Tractors LLC, 3379 Peachtree Road NE Suite 555 Atlanta, Ga 30326, warrants to the original purchaser that the purchased product is free from defects in material and workmanship for a period of one (1) year commencing on the date of original purchase, as evidenced by the original receipt, and will, at its option, repair, replace, or issue credit for any product or part found to be defective.

This limited warranty shall only apply if this product has been operated and maintained in accordance with the Operator's Manual furnished with the product, and has not been subject to misuse, abuse, commercial or industrial use, neglect, improper maintenance, alteration or accident, or which has been used for a purpose for which the product was not designed. Damage resulting from the installation or use of any part, accessory, or attachment not approved by Summit Tractors LLC, for use with the product covered by the Operator's Manual, shall void the warranty as to any resulting damage.

This limited warranty is extended solely to the original purchaser of the product. Should the original purchaser sell or otherwise transfer this product to a third party, this warranty does not transfer to the third party in any manner.

## Warranty Disclaimer

This limited warranty is in lieu of, and Summit Tractors LLC disclaims and excludes any express and implied warranties with respect to the product including, without limitation, merchantability and fitness for a particular purpose. No other express warranty, whether written or oral, given by any person or entity, including a retailer, with respect to any product, shall bind Summit Tractors LLC.

Summit Tractors LLC's exclusive liability for breach of the limited warranty, as set forth above, on the product shall be to repair or replace the product within the warranty period in accordance with the terms of this limited warranty. The choice of remedy shall belong solely to Summit Tractors LLC. In no event shall Summit Tractors LLC be liable for any loss or damages of any other kind, whether direct, incidental, consequential including lost profits, exemplary, special or otherwise, including without limitation, expenses incurred for substitute or replacement product or for rental expenses to temporarily replace a warranted product.

Under no circumstance shall recovery, of any kind, be greater than the amount of the purchase price of the product purchased. Customer assumes all risk and liability for loss, damage, or injury to customer or customer's property and/or the property of others arising out of the misuse or inability to use the product.

## Legal Rights

This limited warranty gives you specific legal rights, and you may also have other rights which may vary from state to state. Some states do not allow any limitation on how long an implied warranty lasts or the exclusion or limitation of incidental or consequential damages, so the above limitations may not apply to you.