



INFORMATION GUIDE

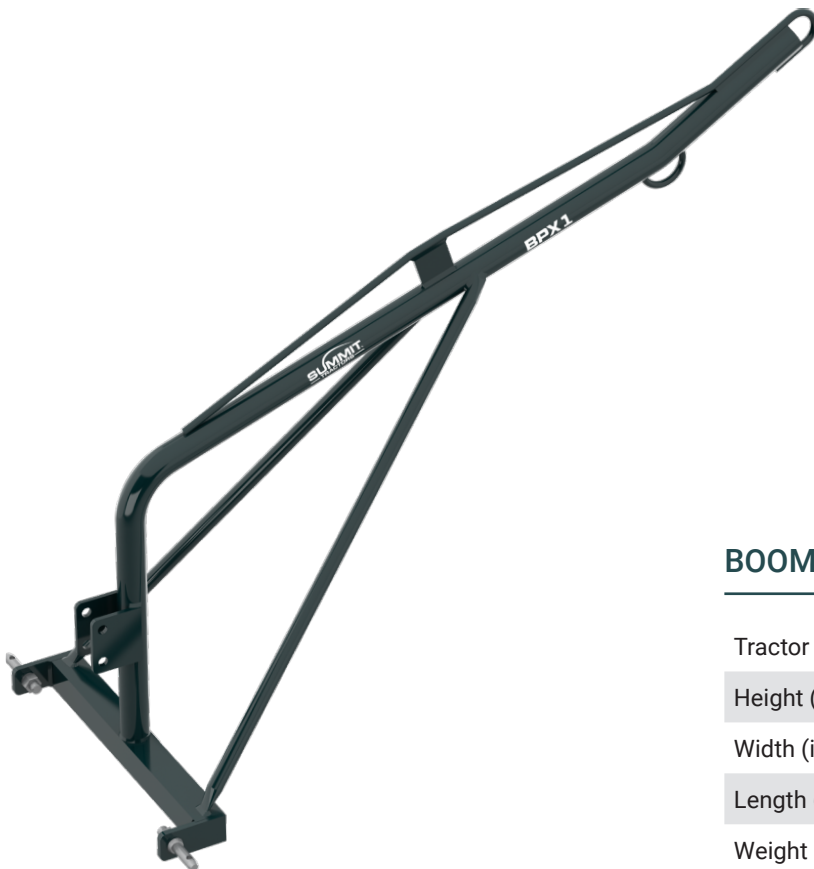
3-POINT BOOM POLE

BPX1

Summit's 3-Point Boom Pole is a versatile and durable implement designed to assist with a wide range of lifting and hauling tasks around farms, ranches, and residential properties. Engineered for use with Category 1 and Category 2 tractors equipped with a standard 3-point hitch, this implement provides reliable support for lifting, moving, and positioning heavy loads.

The boom pole features multiple welded lift points that allow for flexible load handling and optimized weight distribution. These lift points make quick work of common tasks such as loading trailers, pulling fence posts, lifting engines or equipment, and relocating feed bags, logs, or other heavy materials.

This implement is intended solely for lifting and transport applications as described. It must be operated in accordance with the safety instructions provided in this guide. Modifying the boom pole or using it for purposes other than those outlined may result in equipment damage or personal injury.



BOOM POLE SPECIFICATIONS

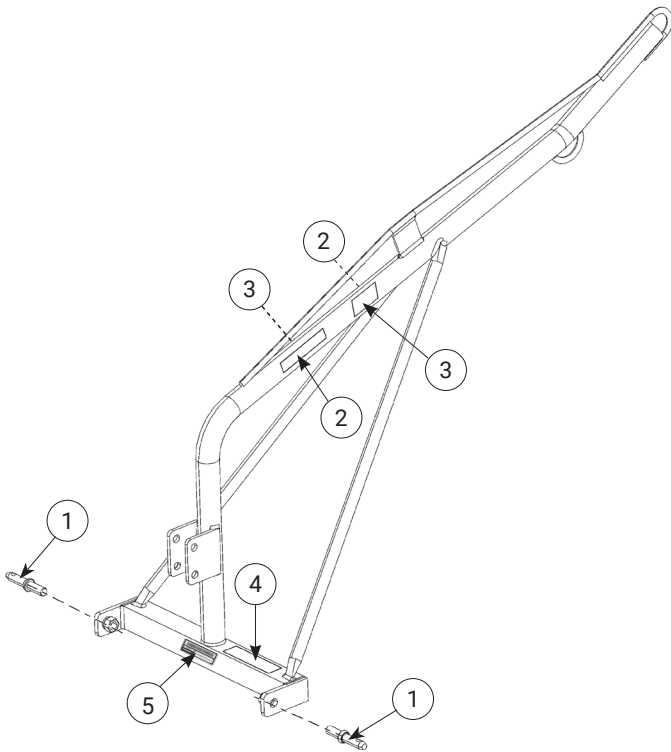
Tractor Hitch	Category 1
Height (in.)	25.5
Width (in.)	32
Length (in.)	85.5
Weight (lbs)	66
Lift Capacity (lbs)*	1000 rear loop/500 front loop

***Implement capacity only. Do not exceed tractor lift capacity.**

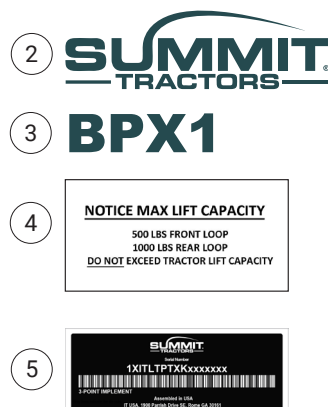
To learn more or to find a dealer nearest you, please visit SummitTractor.com.

General Safety

- Follow all safety decal information. Failure to follow safety rules can result in serious injury or death.
- Never allow children or untrained persons to operate the equipment.
- Make sure implement is properly attached, adjusted, and in good operating condition.
- Power unit must be equipped with ROPS or ROPS cab and seat belt. Keep seat belt securely fastened. Falling off power unit can result in death from being run over or crushed. Keep foldable ROPS system in "locked up" position at all times.
- Never allow riders on power unit or implement.
- A minimum of 20% of tractor and equipment weight must be on the tractor's front wheels when implements are in transport position. Without this weight, tractor could tip over, causing personal injury or death. The weight may be attained with a loader, front wheel weights, ballast in tires or front tractor weights. Weigh the tractor and equipment. Do not estimate.
- Do not operate or transport equipment while under the influence of alcohol or drugs.
- Operate only in daylight or satisfactory artificial light.
- Keep children and bystanders away from storage area.



SERVICE PARTS		
Reference	Part #	Description
1	C1L	Category 1 Lift Pin
2	4000943	Summit Tractors Decal
3	4000947	Model Decal
4	4000610	Max Lift Capacity Notice
5	Non-Serviceable	Serial Number



The information in this brochure is accurate as of the date of printing and subject to change. All rights reserved by and belong to Summit Tractors®
©2025 International Tractors USA Corporation

Summit has a corporate policy of continuous product improvement and development; therefore, data, specifications, and warranty are subject to change without any advance notice. There may be differences between the specifications and illustrations contained in this publication and the actual equipment. Equipment components produced by other manufacturers may be shown in photographs in this publication for the purpose of illustration only and is not intended as an endorsement of that particular equipment or its suitability. Inspect equipment before using it and be sure it is operating properly. The product depictions are not meant to be used or relied upon as a substitute for the safety and use information that is published in the respective operator's manuals. Before operating a machine, read, understand, and follow all instructions in the manual and on the machine. Summit disclaims all representations, express or implied, or any liability from the use of this publication.