

**SUMMIT**  
TRACTORS™



For Parts and Service: Call 1-800-445-8244 or visit [TOPDOGATTACHMENTS.COM](http://TOPDOGATTACHMENTS.COM)

**GX54 GRAPPLE**

# Table of Contents

Introduction.....	3
Warranty.....	4
Safety and Warnings.....	5
Specifications.....	6-7
Part Numbers.....	8
Parts and Hose Routes.....	9-10
Hydraulic Ram Specifications.....	11
Quick Connect Couplers.....	12
Decals.....	13
Reference Information.....	14

# Introduction

Thank you for purchasing your new Summit GX54 Grapple manufactured to Summit's specifications by Top Dog Attachments. We hope that you enjoy your new attachment for many years to come, and that it will be more than useful to you when on the job. Top Dog Attachments specializes in designing and manufacturing the highest quality skid steer and tractor attachments in the market. Every attachment goes through inspection before leaving their facility to make sure that they meet our high standards. Designing is a major key to manufacturing high quality products, and that is why they spend a great amount of time perfecting their designs. They use heavy duty A50 steel to help ensure that our Summit brand products withstand a heavy workload. Top Dog Attachments is an American made manufacturer that is based out of Detroit Lakes, Minnesota.

## Warranty

Top Dog Attachments warrants products purchased from Summit Tractors by the original purchaser to be free from defects in material and workmanship for a period of twelve (12) months from the warranty start date.

### Warranty Does Not Include:

1. Transportation to servicing dealer's business location or, at the option of the original retail purchaser, the cost of a service call.
2. Used equipment.
3. Normal maintenance service and wear items.
4. Repairs or adjustments caused by improper use; failure to follow recommended maintenance procedures, accidents or other casualty.
5. Liability of incidental or consequential damages of any type, including but not limited to lost profits or expenses of acquiring replacement equipment.

## Safety and Warnings

### Getting Started:

1. Attach the grapple to tractor and secure properly.
2. Clean off quick connects going to and from tractor/grapple.
3. Attach quick connect couplers together, (wipe clean before connecting)
4. Test grapple arms by slowly extending and retracting hydraulic rams.
5. Be sure to not operate within 10 feet of another person.

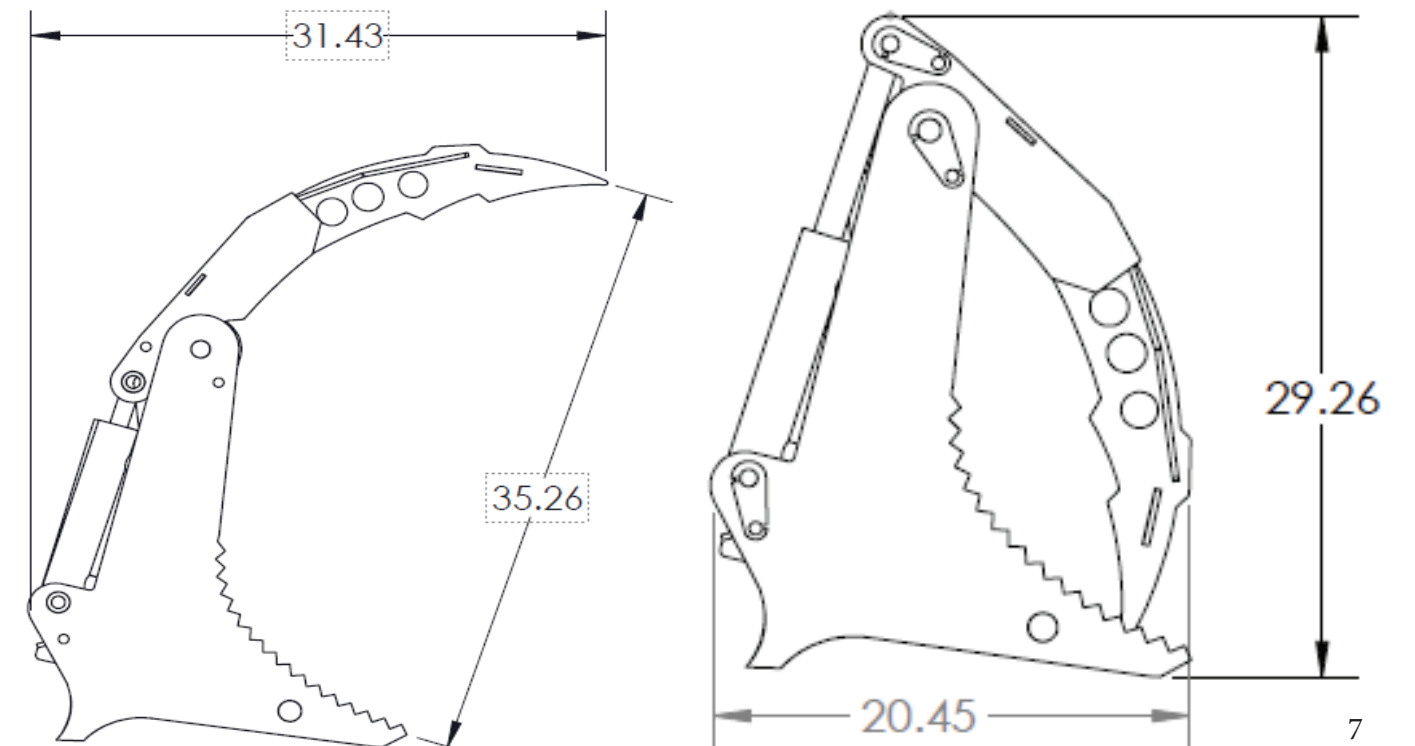
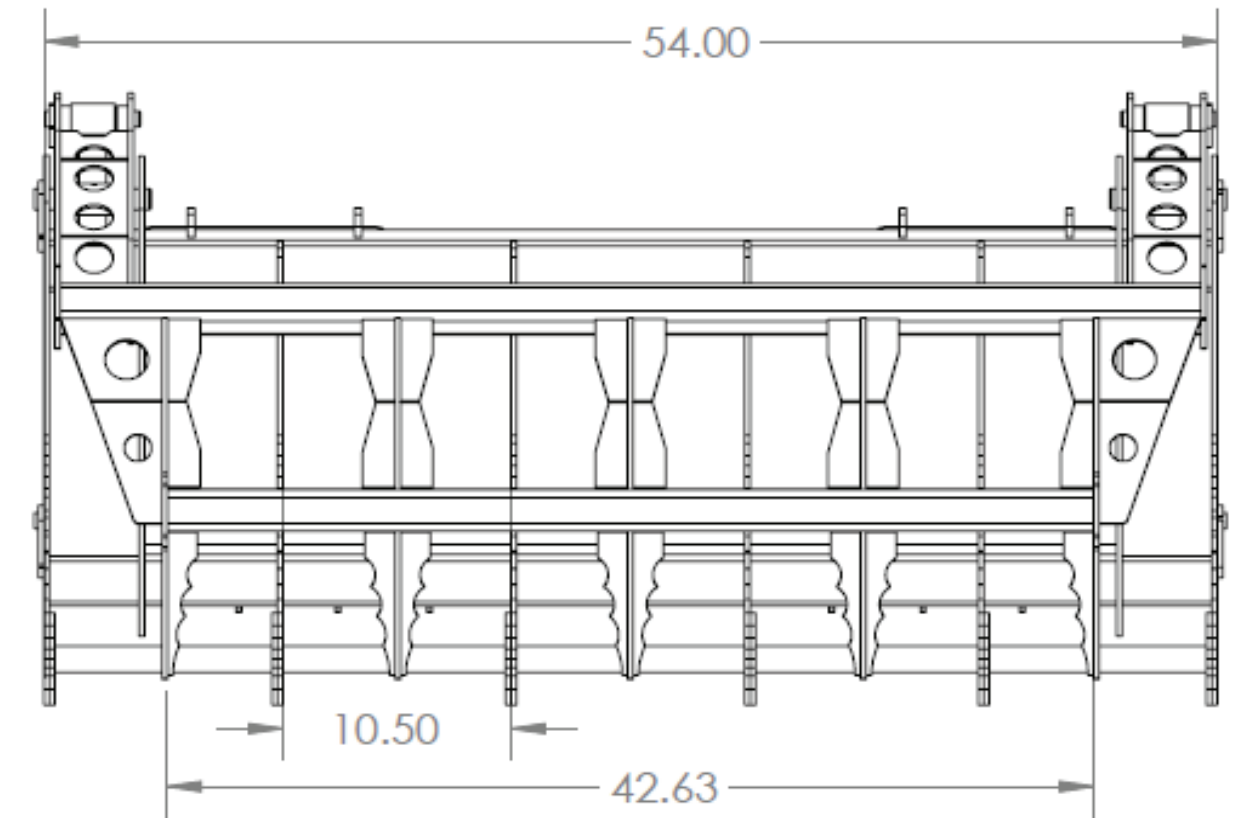
### Warnings:

1. Never hit or pound couplers.
2. Always relieve pressure before disconnecting hoses.
3. Only use grapple for what it is designed for.
4. NEVER allow someone to sit on, or ride grapple while driving or using.
5. Keep hands and body parts clear of pinch points at all times.

# Specifications

<b>SIZE</b>	<b>54"</b>
Overall Height	29.26"
Width	21.27"
Length	54"
Max Opening	35.26"
Weight	255 lbs.
Tine Spacing	10.50"

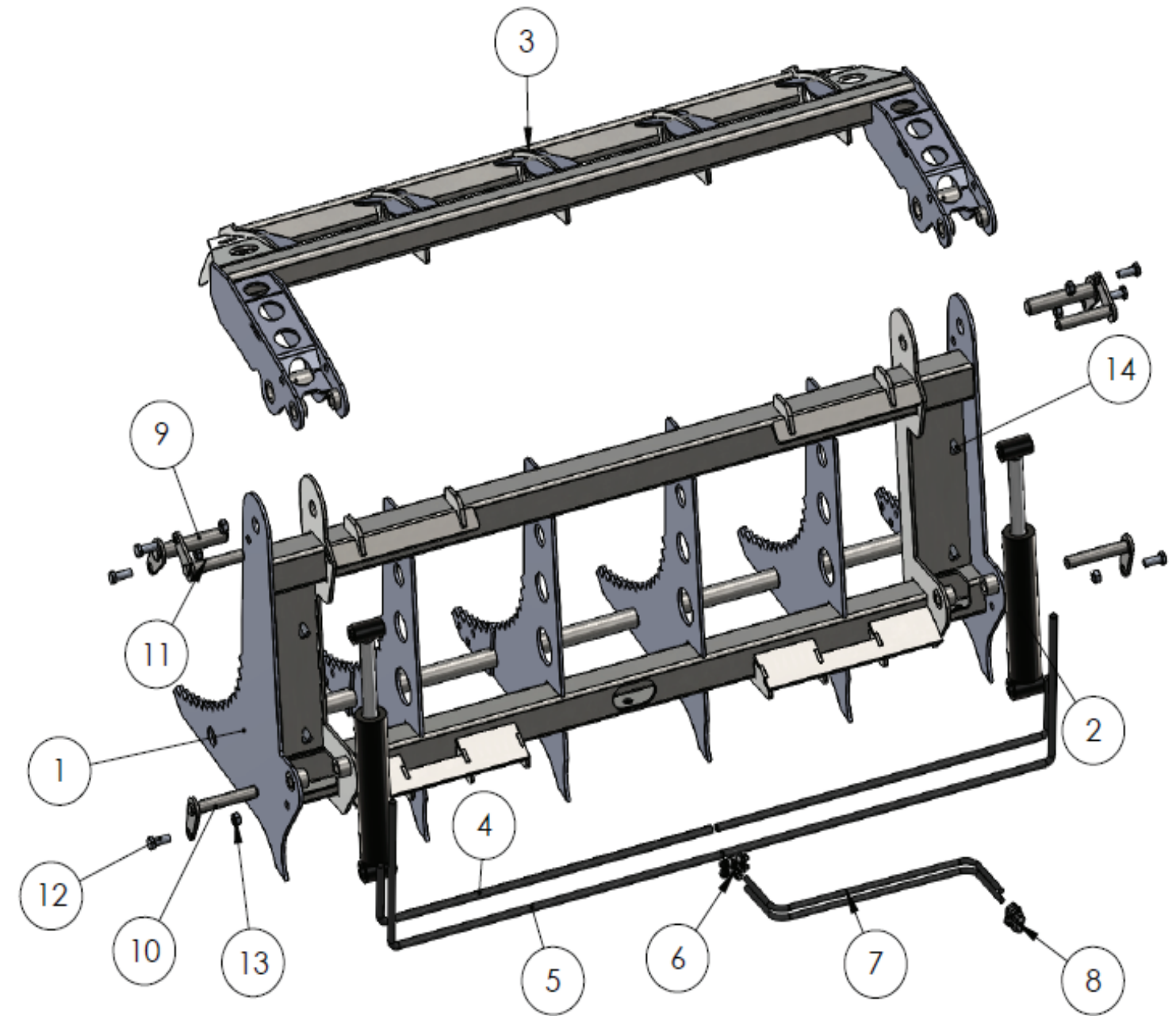
# Specifications



## Part Numbers

Description	Part Number
1.5 x 6 Welded Hydraulic Ram	288-301
36" Hydraulic Hose	054HOSE36
33" Hydraulic Hose	054HOSE33
27" Hydraulic Hose	054HOSE27
Male Quick Attach Coupler	QCA-38M-NPT-3/8"
1/2-13X1 1/4 HH GR5 Zinc	072H5Z050012513
1/2 13 Hex Nut GR C Top Lock Zinc	072HNGRC05013
6X1.00MM 90 Deg Grease Fitting	072MGF900061

## Parts and Hose Routes

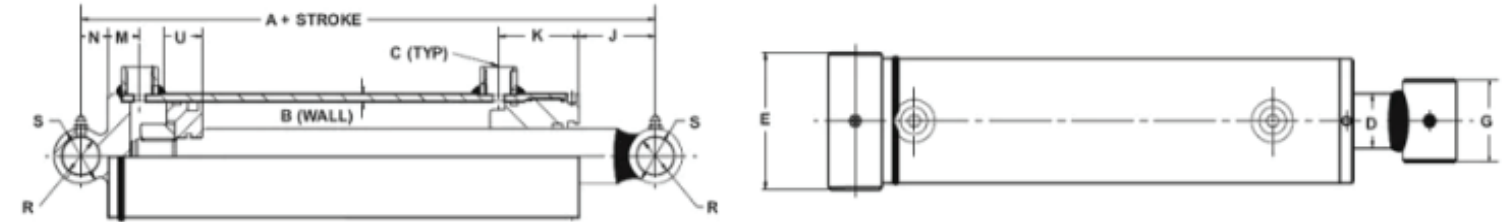


## Parts and Hose Routes

ITEM NO.	PART NUMBER	DESCRIPTION	QTY.
1	SG2054-A	54" SUMMIT GRAPPLE WELDMENT A	1
2	288-301	1.5X6 INCH WELDED CYLINDER.SLDASM	2
3	SG2054-B (REVISED))	GRAPPLE ARM WELDMENT	1
4	054HOSE27	27" HYDRAULIC HOSE	2
5	054HOSE33	33" HYDRAULIC HOSE	2
6	2227K22	THREE WAY MALE TEE	2
7	054HOSE36	36" HYDRAULIC HOSE	2
8	5341K53	MALE QUICK ATTACH COUPLER	2
9	RK2054-R2-C	1" PIN	2
10	RK2054-R2-D	.750" PIN LONG	2
11	RK2054-R2-E	.750" PIN SHORT	2
12	072H5Z050012513	1/2-13X1-1/4 HH GR5 BOLT	6
13	072HNGRC05013	1/2-13 HEX NUT GR 5 TOP LOCK	6
14	6801-4-4	90 DEGREE HYDRAULIC FITTING	4

## Hydraulic Ram Specifications

BORE	STROKE	RETRACTED	EXTENDED	PSI
1.5 Inch.	6 Inch.	14 Inch.	20 Inch.	3000



Dimensional Data in Inches:

BORE	A	B	C	D	E	G	J	K	M	N	R	S	U
1.50	8.00	0.188	SAE 4	1.00	2.25	2.00	2.913	2.192	0.929	0.625	0.764	1.250	0.945
2.00	8.00	0.188	SAE 6	1.25	2.75	2.25	2.844	1.937	0.894	0.750	1.015	1.500	1.000
2.50	8.00	0.188	SAE 8	1.50	3.25	2.25	2.654	1.925	0.894	0.750	1.015	1.500	1.000
3.00	8.00	0.197	SAE 8	1.50	3.75	2.25	2.301	2.244	1.012	0.750	1.015	1.500	1.000
3.50	10.00	0.219	SAE 8	1.75	4.25	2.25	3.980	2.248	1.012	1.000	1.265	2.000	1.000
4.00	10.00	0.250	SAE 8	2.00	4.75	2.50	3.934	2.244	1.012	1.126	1.515	2.252	1.000
5.00	11.00	0.250	3/4 NPT	2.50	5.75	4.00	2.750	2.272	1.500	1.126	1.515	2.500	1.626

PART NO.	STROKE	ROD DIA.	RETRACTED	EXTENDED	COLUMN LOAD	PORT SIZE	PIN DIA.	SHIP WT.
----------	--------	----------	-----------	----------	-------------	-----------	----------	----------

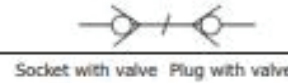
### 1.5" Bore

288300	4	1	12	16	5,300	SAE 4	0.75	7
288301	6	1	14	20	5,300	SAE 4	0.75	8
288302	8	1	16	24	5,300	SAE 4	0.75	9
288303	10	1	18	28	5,300	SAE 4	0.75	10
288304	12	1	20	32	5,300	SAE 4	0.75	11
288305	14	1	22	36	5,300	SAE 4	0.75	12
288306	16	1	24	40	5,300	SAE 4	0.75	13
204605	Seal Kit	1						

# Quick Attach Couplers

# Decals

## QC-AG POPPET TYPE HYDRAULIC QUICK COUPLING (STEEL)



### Applications

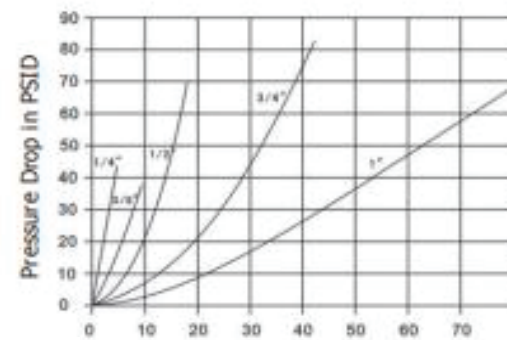
The QC-AG series couplings bring to the industry a proven design for use on construction equipment, forestry equipment, agricultural machinery, oil tools, steel mill machinery and other demanding hydraulic applications.

### Specifications

Body Size (in)	1/4"	3/8"	1/2"	3/4"	1"
Rated Pressure (PSI)	5000	4000	4000	3000	3000
Rated Flow (GPM)	3	6	12	28	50
Temperature Range (std seals)	-22°F to +230°F				
Standard seal material is BUNA					
Safety Factor 4:1					

### Performance

QC-AG Series (1/4", 3/8", 1/2", 3/4", 1")  
Test Fluid: Oil-200SUS



Flow in GPM  
1 GPM = 3.78 L/Min  
1PSID = 0.0069 Mpa

### Features

QC-AG Series couplings feature:

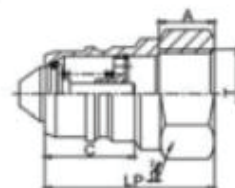
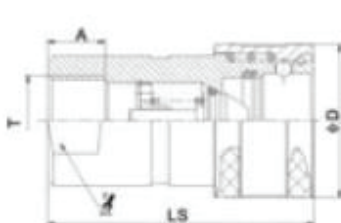
- Poppet valves to prevent uncoupled leakage
- Critical parts are hardened for durability
- Dependable ball-locking mechanism holds the mating halves together
- Socket and plug are precision machined from solid bar stock
- QC-AG Series conforms to the ISO 5675 Standard
- Interchangeable with PARKER 4000 Series STUCCHI IR-V Series, Safeway S20 Series, and others

See interchange chart on page 28

### Socket



### Plug



**WARNING**




**HIGH-PRESSURE FLUID HAZARD**

To prevent serious injury or death:

- Relieve pressure on system before repairing or adjusting or disconnecting.
- Wear proper hand and eye protection when searching for leaks. Use wood or cardboard instead of hands.
- Keep all components in good repair.

**WARNING**



**Pinch Point can  
cause serious injury  
STAY CLEAR.**

3001095

# Reference Information

Date Purchased: \_\_\_\_\_

Dealer Name: \_\_\_\_\_

Dealer Phone: \_\_\_\_\_

Model Number: \_\_\_\_\_

Serial Number: \_\_\_\_\_

